



Test model Operating instruction

Manual coating equipment

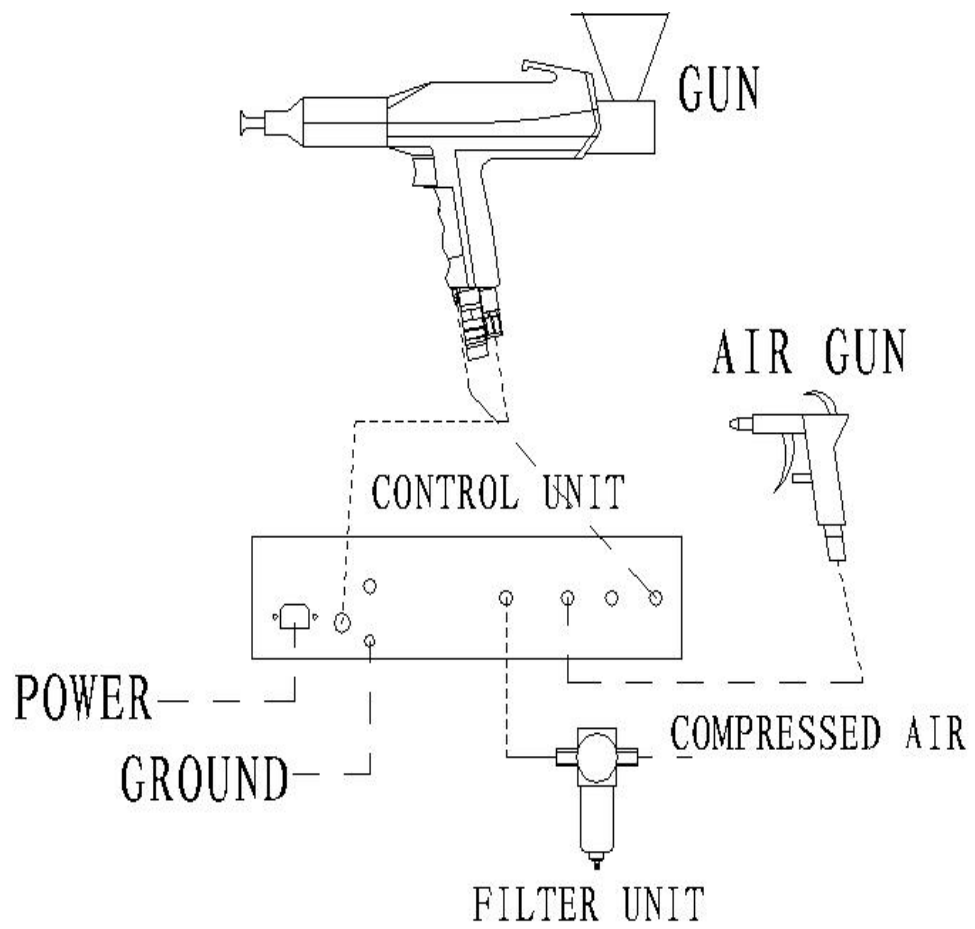


Model: Colo-610T-C

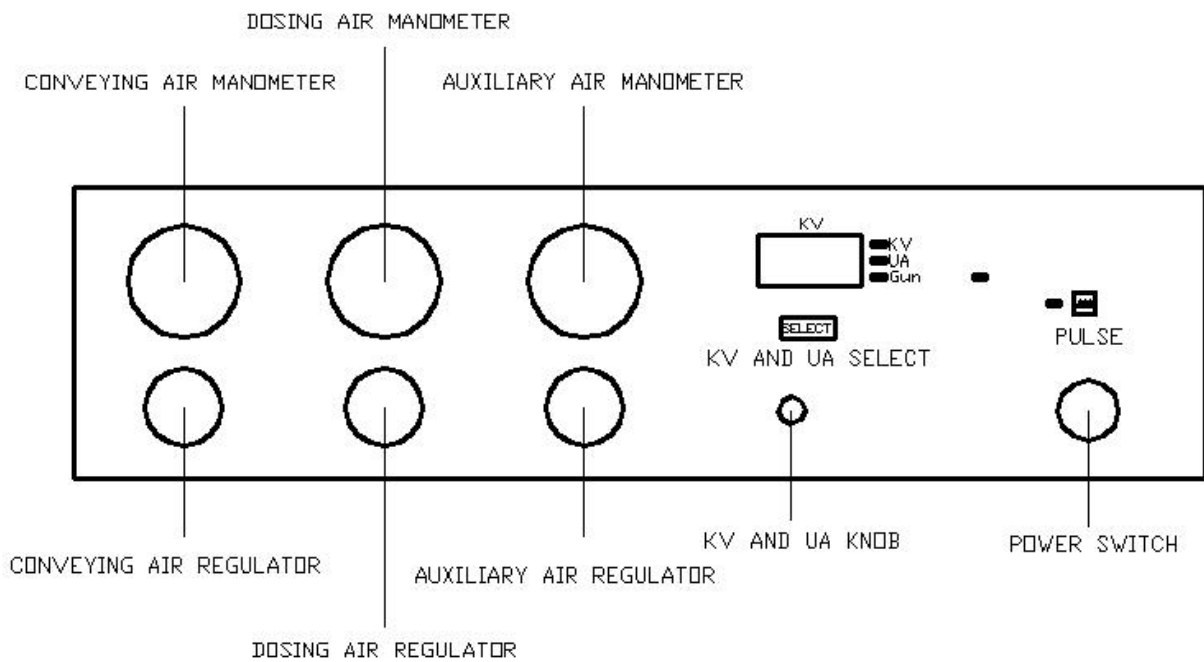
Technical Data

Power range	220v
Frequency	50/60HZ
Temperature range in use	-10 +50
Powder Gun	
Gun weight:	500g
Rated output voltage	24VDC
Maximum output current	180Ua(max)
Maximum output voltage.....	0-100KV (adjustable)
Maximum powder injection :.....	600g/min
Polarity	negative (-)
Pneumatic technical spec	
Maximum input-air pressure	8kg/cm
Optimum input-air pressure.....	6kg/cm
Minimum input-air pressure	4kg/cm
Maximum water vapor content or compressed air	1.4g/N m3
Maximum oil vapor content of compressed air	0.1ppm
Maximum compressed-air consumption.....	13.2 m3/h

connection of control unit



Control unit control panel



USER OPERATION

- 1 : The powder supply only for 220V
- 2 : Before using the machine must be grounded well
- 3 : Air inlet to be connected 4-6bar compressed air

NOTE : The distance between gun and work piece could effect film thickness and easiness to coating
Example : Deep and penetration area distance is 5-10cm , flat and big surfaces is 10-20cm

Manual Gun



- | | |
|--|------------------|
| 1 : Mounting hook | 2 : Gun body |
| 3 : Threaded sleeve | 4 : Spray nozzle |
| 5 : Trigger | 6 : Gun handle |
| 7 : Rinsing air connection | |
| 8 : Powder hose quick release connection | |
| 9 : Gun cable | 10 : Powder cup |